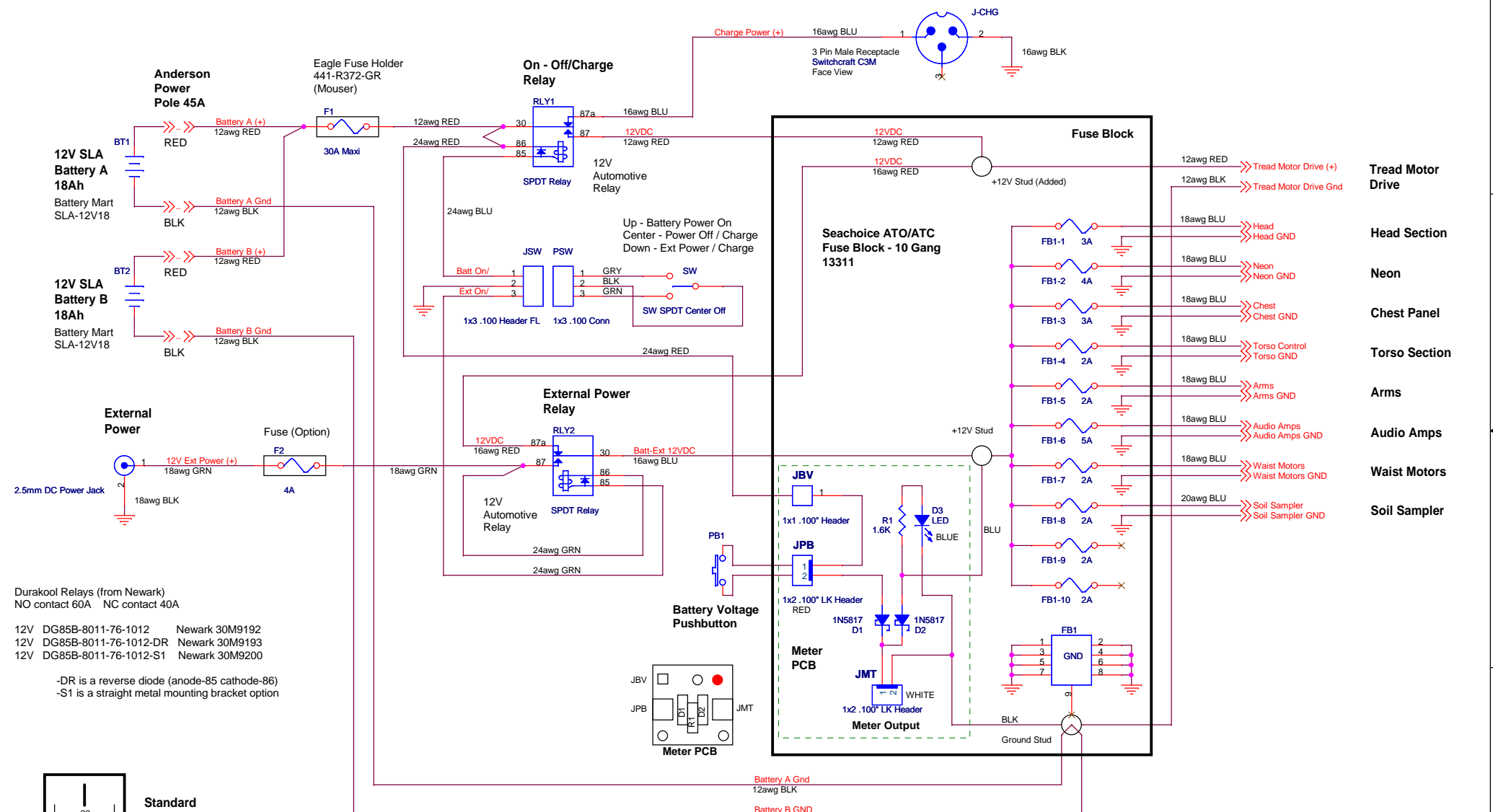
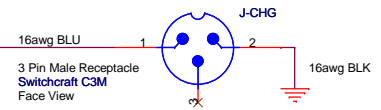
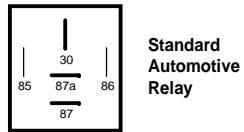


### Battery Charge Plug



Durakool Relays (from Newark)  
 NO contact 60A NC contact 40A  
 12V DG85B-8011-76-1012 Newark 30M9192  
 12V DG85B-8011-76-1012-DR Newark 30M9193  
 12V DG85B-8011-76-1012-S1 Newark 30M9200

-DR is a reverse diode (anode-85 cathode-86)  
 -S1 is a straight metal mounting bracket option



**Note:**  
 Common Ground System  
 All grounds to be tied together at fuse block.

Title			
<b>B9 12V Battery Charge Switch w/ Ext Power</b>			
Size B	Document Number		Rev
	<b>RDR - B9 BCS-ExP</b>	<b>Bob Ross</b>	<b>1.0</b>
Date:	Monday, October 02, 2017	Sheet	1 of 1